

UPUTSTVO ZA POPUNJAVANJE ZAHTEVA ZA HOMOLOGACIJU TIPA DIJELA, UREĐAJA I OPREME VOZILA HOMOLOGIRANIH PREMA ZAHTEJIMA ECE PRAVILNIKA R123 – PREDNJI PRILAGODLJIVI SVJETLOSNI SUSTAVI (“AFS”)

Primjer sadržaja homologacijskog odobrenja (saopštenja) za dio homologiran prema zahtjevima ECE pravilnika R123, dan je u nastavku:

E/ECE/324/Rev.2/Add.122/Rev.2
E/ECE/TRANS/505/Rev.2/Add.122/Rev.2
Annex 1

Annex 1

Communication

(Maximum format: A4 (210 x 297 mm))



issued by: Name of administration:
.....
.....
.....

Concerning:² Approval granted
Approval extended
Approval refused
Approval withdrawn
Production definitively discontinued

of a type of system pursuant to Regulation No. 123

Approval No. Extension No.

1. Trade name or mark of the system:
2. Manufacturer's name for the type of system:
3. Manufacturer's name and address:
4. If applicable, name and address of manufacturer's representative:
5. Submitted for approval on:
6. Technical Service responsible for conducting approval tests:

¹ Distinguishing number of the country which has granted/ extended/ refused/ withdrawn approval (see the provisions of the Regulation concerning approval).

² Strike out what does not apply.

7. Date of report issued by that Service:.....
8. Number of report issued by that Service:.....
9. Brief description:
- 9.1. Category as described by the relevant marking³
- 9.2. Number and category(ies) of replaceable light sources.....
- 9.2.1. Number and specific identification code(s) of LED module(s) and for each LED module a statement whether it is replaceable or not:
- | Number | Identification | Replaceable |
|--------|----------------|---------------------|
| | | Yes/No ² |
- 9.2.2. Number and specific identification code(s) of electronic light source control gear(s), if applicable
- 9.2.3. Total objective luminous flux as described in paragraph 5.13 exceeds 2.000 lumens: yes/no²
- 9.3. (a) Indications according to paragraph 6.4.6. of this Regulation (which lighting unit(s) provide a "cut-off" as defined in Annex 8 to this Regulation, that projects into a zone extending from 6 degrees left to 4 degrees right and upwards from a horizontal line positioned at 0.8 degree down)
- (b) The adjustment of the "cut-off" has been determined at 10 m / 25 m.²
- (c) The determination of the minimum sharpness of the "cut-off" has been carried out at 10 m / 25 m.²
- 9.4. The vehicle(s) for which the system is intended as original equipment
- 9.5. Whether approval is sought for a system which is not intended to be included as part of the approval of a vehicle type according to Regulation No. 48: yes/no²
- 9.5.1. If in the affirmative: information sufficient to identify the vehicle(s) for which the system is intended.....
- 9.6. Indications according to paragraph 6.4.7. of this Regulation (which Class E passing-beam mode(s), if any, comply with a "data set" of Table 6 of Annex 3 to this Regulation)
- 9.7. Whether approval is sought for a system intended to be installed on vehicles only, which provide means for a stabilization/limitation of the system's supply: yes/no²
- 9.8. The adjustment of the "cut-off" has been determined at 10 m / 25 m.².
The determination of the minimum sharpness of the "cut-off" has been carried out at 10 m / 25 m.²

³ Indicate the appropriate marking as foreseen according to this Regulation for each installation unit or assembly of installation units

10. Approval mark(s) position(s):
11. Reason(s) for extension of approval:
12. Approval granted / extended / refused / withdrawn²
13. Place:
14. Date:
15. Signature:
16. The list of documents deposited with the Type Approval Authority, which has granted approval is annexed to this communication and may be obtained on request.
17. The system is designed to provide passing-beams of:⁴
- 17.1. Class C Class V Class E Class W
- 17.2. With the following mode(s), identified by the designation(s), if it applies⁵
- Mode No. C 1 Mode No. V ... Mode No. E ... Mode No. W ...
- Mode No. C ... Mode No. V ... Mode No. E ... Mode No. W ...
- Mode No. C ... Mode No. V ... Mode No. E ... Mode No. W ...
- 17.3. Where the lighting units, indicated below are energized^{4,5,6} for the mode No.
- (a) If no bend lighting applies:
- Left side No.1 No.3 No.5 No.7 No.9 No.11
- Right side No.2 No.4 No.6 No.8 No.10 No.12
- (b) If bend lighting of category 1 applies:
- Left side No.1 No.3 No.5 No.7 No.9 No.11
- Right side No.2 No.4 No.6 No.8 No.10 No.12
- (c) If bend lighting of category 2 applies:
- Left side No.1 No.3 No.5 No.7 No.9 No.11
- Right side No.2 No.4 No.6 No.8 No.10 No.12
- Note: Indications according to sub-paragraphs 17.3.(a) through 17.3.(c) above are needed additionally for each further mode.

⁴ Mark with an X where applicable.

⁵ To be extended if more modes are provided.

⁶ To be continued if more units are provided.

Prilikom ispunjavanja ZAHTJEVA ZA HOMOLOGACIJU TIPA DIJELA, UREĐAJA I OPREME VOZILA HOMOLOGIRANIH PREMA ZAHTJEVIMA ECE PRAVILNIKA R123 – PREDNJI PRILAGODLJIVI SVJETLOSNI SUSTAVI (“AFS”), u vezi s gornjim primjerom homologacijskog odobrenja, točke iz Zahtjeva popunjavaju se na slijedeći način:

Točka 0.0. - Naziv dijela, uređaja i opreme vozila – Bira se iz padajućeg menija:
123 - PREDNJI PRILAGODLJIVI SVJETLOSNI SUSTAVI (“AFS”)

Točka 0.1. - Marka (komercijalni naziv proizvođača) – Upisuje se podatak iz [točke 1. homologacijskog odobrenja za dio homologiran prema zahtjevima ECE pravilnika R123](#)

Točka 0.2. - Tip – Upisuje se podatak iz [točke 2. homologacijskog odobrenja za dio homologiran prema zahtjevima ECE pravilnika R123](#)

Točka 0.3. – Oznaka za identifikaciju tipa dijela, uređaja i opreme vozila (ako je navedena) – Ne upisuje se podatak budući on nije propisan u homologacijskom odobrenju za dio homologiran prema zahtjevima ECE pravilnika R123

Točka 0.3.1. – Položaj ove oznake - Ne upisuje se podatak budući on nije propisan u homologacijskom odobrenju za dio homologiran prema zahtjevima ECE pravilnika R123

Točka 0.4. – Homologacijska oznaka – Upisuje se **homolgacijska oznaka postavljena na PREDNJI PRILAGODLJIVI SVJETLOSNI SUSTAVI (“AFS”), a koja je u vezi sa dijelom Approval No.: homologacijskog odobrenja.** (Npr. „X CT E4 00-1924)

Primjeri označavanja:

$a \geq 8$ mm (on glass)
 $a \geq 5$ mm (on plastic material)

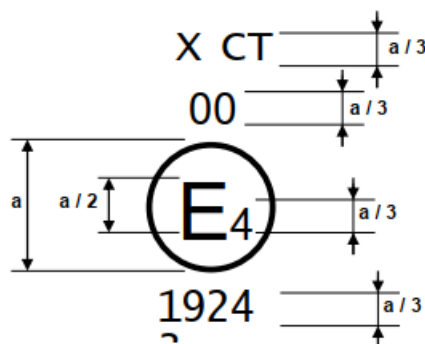


Figure 1

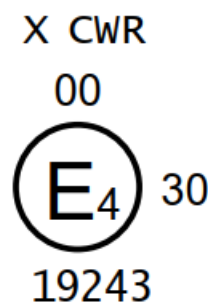


Figure 2

Točka 0.4.1. – Položaj ove oznake – Upisuje se podatak iz [točke 10. homologacijskog odobrenja za dio homologiran prema zahtjevima ECE pravilnika R123.](#)

Točka 0.5. – Naziv i adresa proizvođača – Upisuju se podatci iz [točke 3. homologacijskog odobrenja za dio homologiran prema zahtjevima ECE pravilnika 123](#)

Točka 0.6. – Namjena – Upisuje se sama namjena dijela

Točka 0.7. – Osoba za kontakt uvoznika – Upisuje se ime i prezime i funkcija osobe za kontakt, adresa, telefon/faks i e-mail.

Točka 0.8. – Posebne napomene – Upisuje se prema potrebi